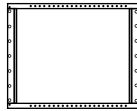




(A)x1



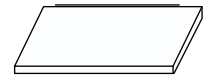
(C)x1



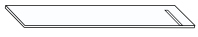
(E)x1



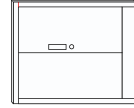
(G)x2



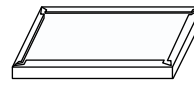
(B)x1



(D)x1



(F)x1



(H)x7

(I)x8

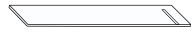


2x



01

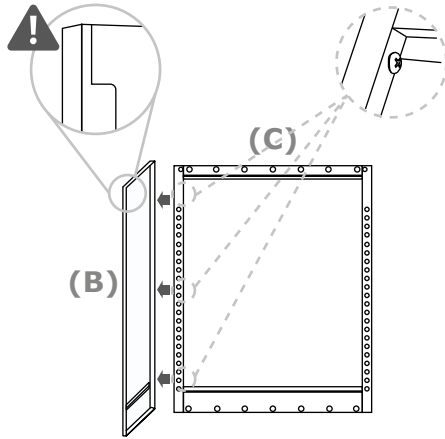
(B)x1



(C)x1



(H)x3

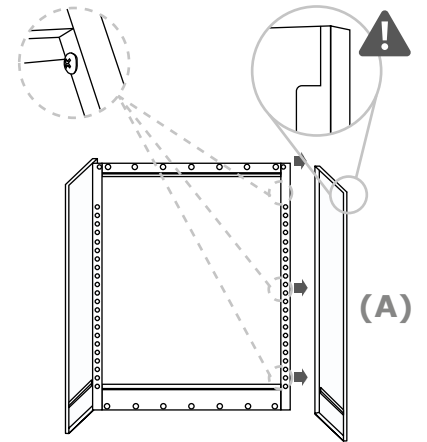


02

(A)x1

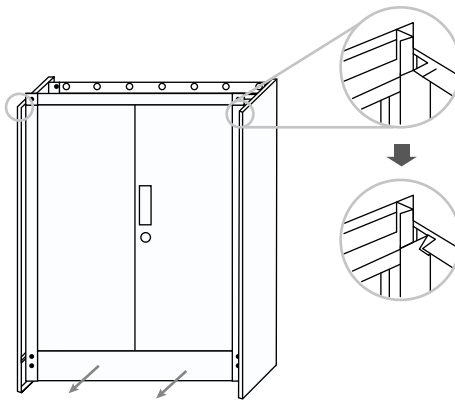
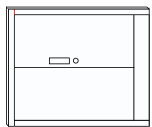


(H)x3



03

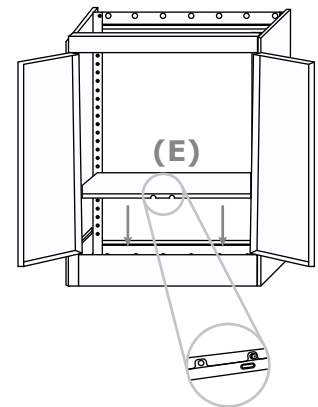
(D)x1



04

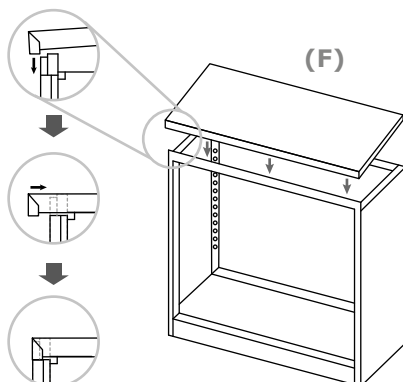
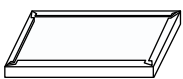


(E)x1



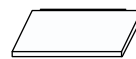
05

(F)x1

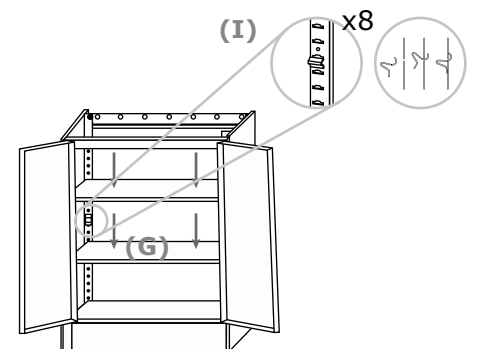


06

(G)x2



(I)x8



07

